

BIMETALLIC STEAM TRAPS AND AIR VENTS BM24 (1/2" – 1"; DN 15 – 25)

DESCRIPTION

The BM24 series bimetallic steam traps and air vents are simple and robust traps, recommended for steam process applications where condensate sensible heat can be recovered, steam tracing lines, drip points, storage tank coils, steam air venting, etc. The use of condensate sensible heat reduces steam consumption.

MAIN FEATURES

- Modulating discharge.
- Discharges condensate below steam temperature.
- Excellent air discharge.
- Operates on superheated steam.
- Unaffected by water hammer and vibrations.
- Built-in strainer.

- OPTIONS:** Blowdown valve.
- USE:** Saturated and superheated steam.

AVAILABLE MODELS: BM24 – carbon steel.

SIZES: 1/2" to 1" ; DN 15 to DN 25.

- CONNECTIONS:** Female threaded ISO 7 Rp or NPT.
Flanged EN 1092-1 PN 40.
Flanged ASME B16.5 Class 150 or 300.
Socket weld (SW) ASME 16.11.
Butt weld (BW) ASME B16.25 on request.

- INSTALLATION:** Horizontal installation recommended, can be installed in any position.
See IMI – Installation and maintenance instructions.



BODY LIMITING CONDITIONS		
FLANGED PN 40 / CLASS 300 *	FLANGED CLASS 150 **	RELATED TEMP.
ALLOWABLE PRESSURE	ALLOWABLE PRESSURE	
40 bar	19,3 bar	50 °C
35 bar	15,8 bar	150 °C
30,4 bar	12,1 bar	250 °C
27,6 bar	10,2 bar	300 °C

PMO – Maximum operating pressure: 24 bar.
TMO – Maximum operating temperature: 250 °C.
* Acc. to EN 1092-1:2018. ** Acc. to EN 1759-1:2004.
Body limiting conditions PN 40 or below, depending on the type of connection adopted. Rating PN 40 for threaded, SW and BW versions.

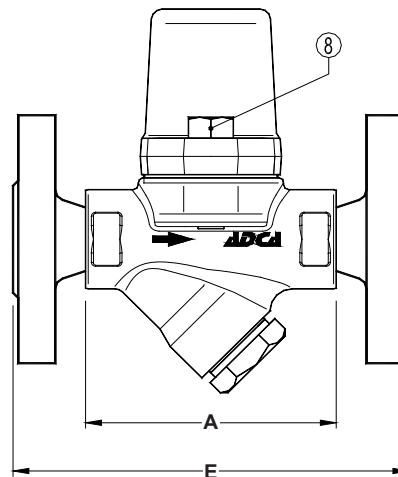
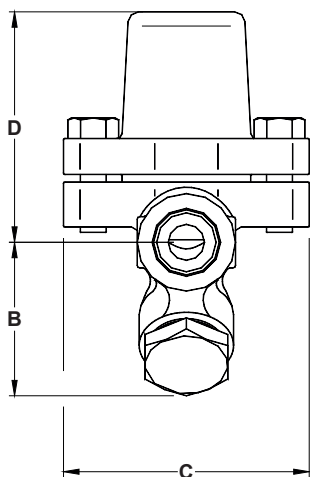
CE MARKING – GROUP 2 (PED – European Directive)

PN 40	Category
1/2" to 1" – DN 15 to 25	SEP

FLOW RATE CAPACITY (kg/h)

MODEL	SIZE	DIFFERENTIAL PRESSURE (bar)													
		0,5	1	2	4	6	8	10	12	14	16	18	20	22	24
BM24	1/2" to 1" A DN 15 to 25 A	225	350	490	650	720	795	820	850	880	900	905	910	915	925
BM24	1/2" to 1" B DN 15 to 25 B	550	800	1100	1500	1750	1825	2000	2100	2175	2235	2390	2490	2585	2680

A: Condensate discharge at 10 °C below saturation temperature; B: Cold water capacity around 20 °C.



DIMENSIONS (mm)											
SIZE	THREADED / SW					PN 40		CLASS 150		CLASS 300	
	A	B	C	D	WEIGHT (kg)	E	WEIGHT (kg)	E	WEIGHT (kg)	E	WEIGHT (kg)
1/2" – DN 15	95	59	95	90	2,1	150	3,7	150	3,2	150	4
3/4" – DN 20	95	59	95	90	2,1	150	4,5	150	3,7	150	5,3
1" – DN 25	95	65	95	90	2,1	160	4,9	160	4,5	160	6,1

MATERIALS		
POS. N°	DESIGNATION	MATERIAL
1	Body	P250GH / 1.0460
2	Cover	P250GH / 1.0460
3	* Gasket	Stainless steel / Graphite
4	* Valve assembly	Bimetal
5	* Strainer screen	AISI 304 / 1.4301
6	* Strainer cover	A 105 / 1.0432
7	* Gasket	Stainless steel / Graphite
8	Bolts	Stainless steel A2-70

* Available spare parts.

