

**PNEUMATIC CONTROL VALVES  
PV926A**

**(V926A aseptic angle valve with linear actuator PA series)**

**DESCRIPTION**

The PV926A aseptic control valves are single seated, two-way body constructed with angle connections. The PA pneumatic actuator features a rubber diaphragm and multi-springs. Its action can be DA - direct action (air to close) or RA – reverse action (air to open). The PV926A valves have been designed to ensure an accurate control in any process condition. The self draining design is ideally suited for clean steam service applications.

**MAIN FEATURES**

Completely manufactured from bar stock material.  
Single seated, two way, direct or reverse action valve.  
Valve top flange permanently attached to the body, removal is unnecessary for replacing the actuator.  
Metal to metal or soft sealing.  
Self draining design.

**STANDARD SURFACE FINISH**

Internal wetted parts: ≤ 0,51 micron Ra – SF1.  
External : ≤ 0,76 micron Ra – SF3.  
Other surface conditions see IS PV20.00 E – Technical information.  
Ultrasonic cleaning.  
Actuator (stainless steel): Satin bead blast finish 1,6 micron Ra.  
Actuator (steel): Electrostatic painted.

**OPTIONS:** Soft sealing.  
Heating chamber.  
Inline connections.  
Positioners and position transmitters.  
Air filter regulator.  
Bolted bonnet.

**USE:** Saturated steam, hot and superheated water.  
Process fluids, liquids, air and gases compatible with the construction.

**AVAILABLE MODELS:** PV926A.

**SIZES:** 1/2" to 2".

**CONNECTIONS:** ASME BPE clamp ferrules or tube weld (ETO) ends. Others on request.

**VALVE PORT:** Full port as standard.  
Reduced or micro flow on request.

**PLUG TYPES:** Equal percentage (EQP).  
Linear (PL).  
On-Off (PT).

**PACKAGING:** Assembling and packaging in a clean room certified according to ISO 14644-1.  
The product is end capped and sealed with recyclable thermo-shrinkable plastic film, to avoid contamination.



Clamp version



Tube weld version

**PNEUMATIC ACTUATORS:** PA205, PA280, PA340  
**ACTUATOR CONNECTIONS:** 1/4" female threaded NPT.  
**CONTROL SIGNAL:** 0,4–1,2 bar; 0,4–2 bar.  
**ELECTRIC ACT:** Consult IS EL 20.00 E.  
**MAX. AIR SUPPLY:** 3,5 bar.  
**AMBIENT TEMPERATURE:** - 20 °C to +70 °C.

LIMITING CONDITIONS *	
<b>Valve model</b>	<b>V926A</b>
Body design conditions	PN 16
Maximum operating pressure	13 bar @ 38°C
Maximum operating steam pressure	6 bar
Max. operating temp. (steam and water)	170 °C
Maximum operating temperature (air)	150 °C
Minimum operating temperature	- 10 °C

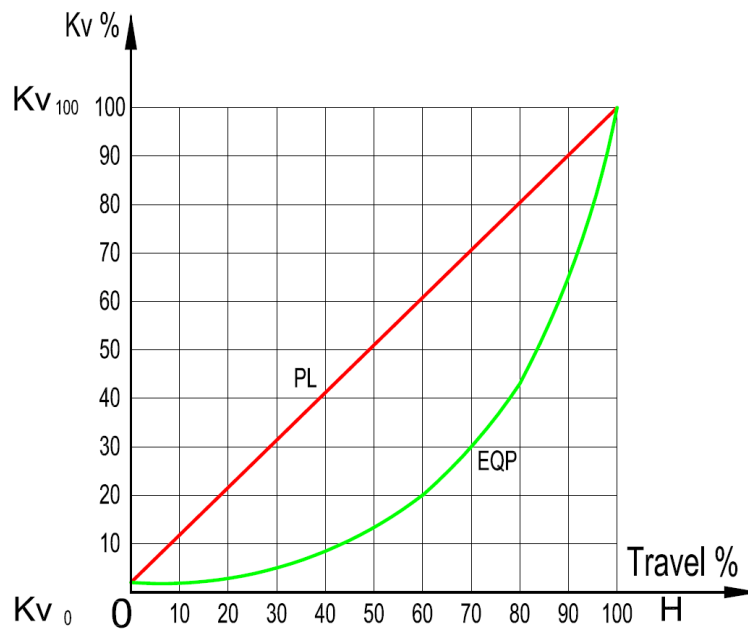
\* Higher and lower limits on request.

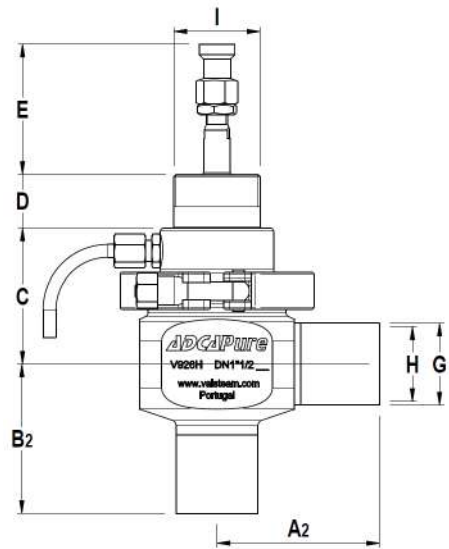
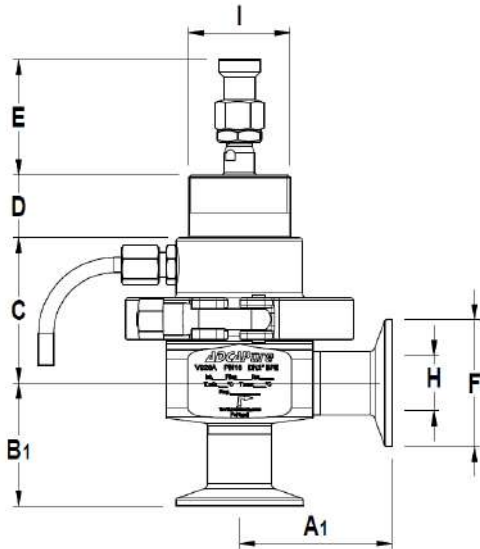
CE MARKING – GROUP 2 (PED – European Directive)	
<b>PN 16</b>	<b>Category</b>
1/2" to 2"	SEP

FLOW RATE COEFFICIENTS (m³/h)

SEAT Ø (mm)	VALVE STROKE (mm)	SIZE					
		1/2"	3/4"	1"	1 1/2"	2"	
4 *	7,5	0,1	–	–	–	–	
4 *		0,25	–	–	–	–	
4 *		0,5	–	–	–	–	
8 *		1	–	–	–	–	
8 *		1,5	–	–	–	–	
8 *		2	2	–	–	–	
12		–	–	2,3	2,8	–	–
12		–	–	2,9	3,7	–	–
15		–	–	4,2	5,2	7,8	–
19		–	–	–	7	9,8	–
25	15	–	–	–	14,7	21,1	
32		–	–	–	17,8	25,4	
38		–	–	–	–	27,7	
47		–	–	–	–	34,7	

\* Microflow available only with contoured linear characteristic.  
 For conversion  $Kvs = Cv (US) \times 0,855$ .





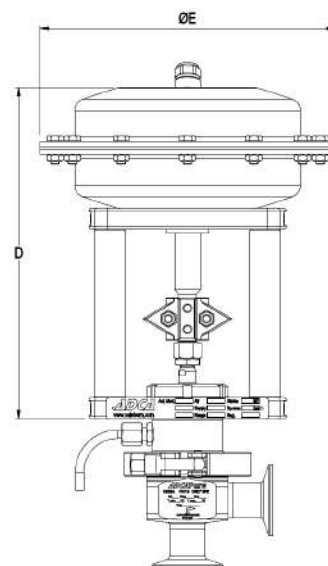
**DIMENSIONS (mm) ASME BPE**

SIZE	A1	A2	B1	B2	C	D	E	F	G	H	I	WEIGHT (kg)
1/2"	61	66	41	41	51	25	45	25	12,7	9,4	M40 x 1,5	1,9
3/4"	61	66	46	46	53	25	45	25	19,05	15,75	M40 x 1,5	2
1"	61	66	49	49	58	25	45	50,5	25,4	22,1	M40 x 1,5	2,2
1 1/2"	77	85	62	70	68	25	45	50,5	38,1	34,8	M40 x 1,5	3,7
2"	77	87	62	72	75	25	45	64	50,8	47,5	M40 x 1,5	4,2

Remarks: Face to face dimensions are not standardized. Different dimensions available on request.

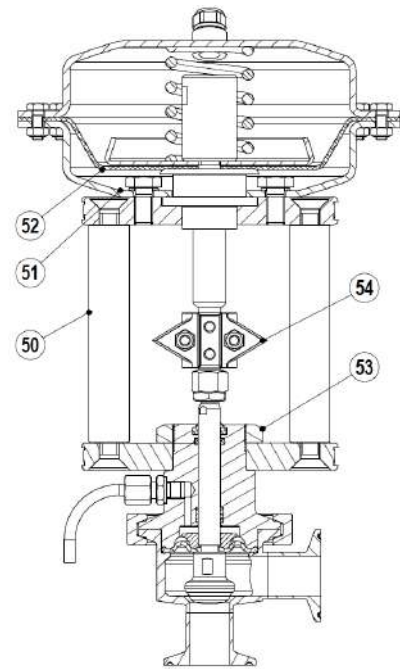
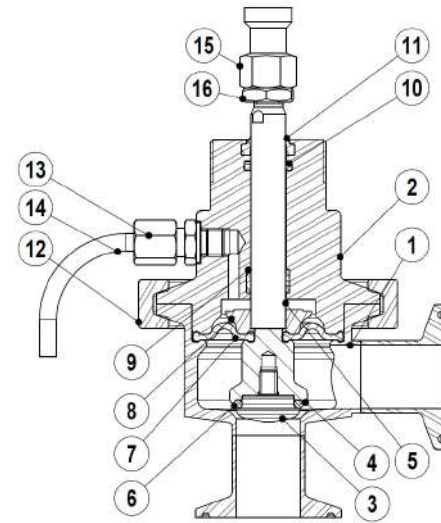
**PNEUMATIC ACTUATOR DIMENSIONS (mm)**

TYPE	D	E	WEIGHT (kg)
PA205	235	210	5,7
PA280	240	275	8,8
PA340	265	335	14,3



**MATERIALS**

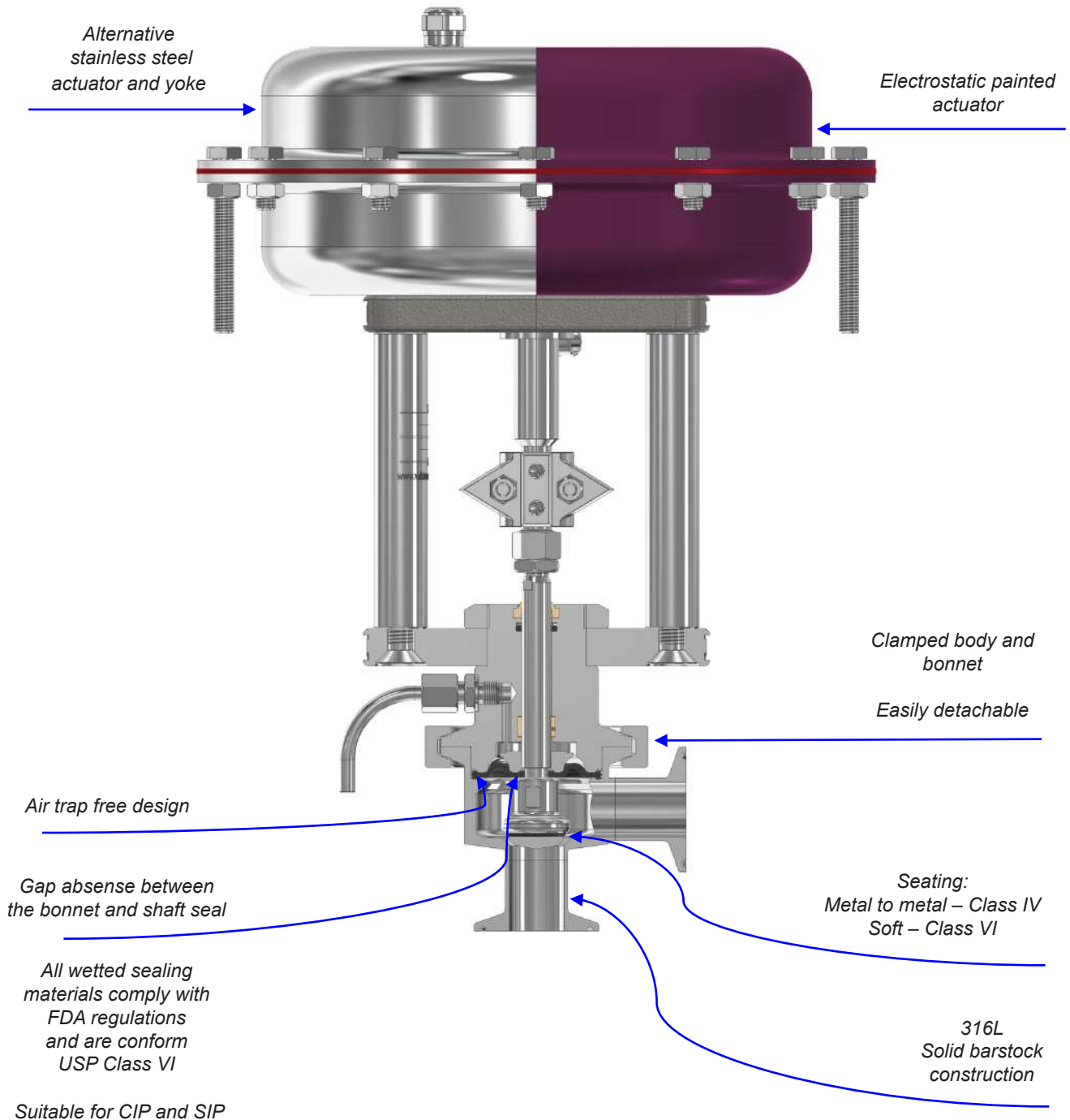
POS. N°	DESIGNATION	MATERIAL
1	Valve body	AISI 316L / 1.4404
2	Bonnet	AISI 316L / 1.4404
3	* Valve plug	AISI 316L / 1.4404
4	Plug disc	AISI 316L / 1.4404
5	* Stem	AISI 316L / 1.4404
6	Valve plug seal	High performance EPDM
7	* Diaphragm	High performance EPDM
8	Diaphragm plate	AISI 316L / 1.4404
9	* Guide bushing	PTFE
10	* O-ring	EPDM
11	* Scraper ring	Viton
12	Clamp	AISI 316 / 1.4401
13	Leak-off connection	AISI 304 / 1.4301
14	Discharge pipe	AISI 316 / 1.4401
15	Nut adapter	AISI 316 / 1.4401
16	Lock nut	Stainless Steel A2-70
50	Yoke (steel)	C45E / 1.1191
	Yoke (stainless steel)	AISI 304 / 1.4301
51	Actuator (steel)	S235JRG2 / 1.0038
	Actuator (stainless steel)	AISI 304 / 1.4301
52	* Diaphragm	NBR 70
53	Lock nut	A351 CF8 / 1.4308
54	Coupling (travel indicator)	A351 CF8 / 1.4308



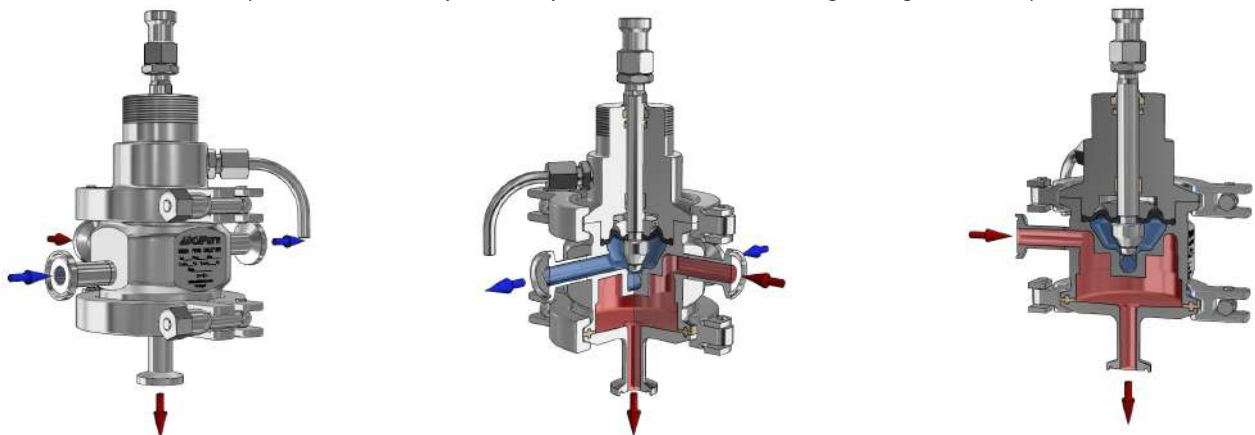
\* Available spare parts.

Remarks: FDA / USP Class VI seals certificate on request.

All valves have a serial number. In case of non-standard valves, this number must be supplied if spare parts are ordered.



Optional heating chamber  
 (to maintain the required temperature of the fluid flowing through the valve).



ORDERING CODES V926A									
VALVE CODES	P	V	.96A	1	D	15	.X.		
<b>Actuator type</b>									
Pneumatic actuator	P								
Electric actuator	E								
<b>Group designation</b>									
Globe valve, two-way		V							
<b>Valve model</b>									
V926A – aseptic two way angle valve			.96A						
<b>Valve plug</b>									
Equal percentage (EQP) – soft sealed with high performance EPDM				1					
Equal percentage (EQP) – metal to metal				3					
Linear (PL) – soft sealed with high performance EPDM				6					
Linear (PL) – metal to metal				7					
Quick opening (On/Off) – soft sealed with high performance EPDM				9					
Quick opening (On/Off) – metal to metal				10					
<b>Pipe connection</b>									
Clamp ferrule ASME BPE					D				
Tube weld (ETO) according to ASME BPE					DI				
<b>Size</b>									
1/2"						15			
3/4"						20			
1"						25			
...									
<b>Actuator</b>								(1)	
<b>Extras</b>									
Full description or additional codes have to be added in case of non-standard combination									E

ACTUATOR CODES *	P.	5	R	P	30
<b>Group designation</b>					
Multi-spring, pneumatic linear actuator	P.				
<b>Actuator size</b>					
205		1			
280		3			
340A – from DN 15 to DN 50		5			
340B – from DN 65 to DN 100		6			
435A – from DN 15 to DN 50		7			
435B – from DN 65 to DN 100		8			
<b>Actuator type</b>					
Direct action (air to close)			D		
Reverse action (air to open)			R		
<b>Actuator Construction</b>					
Steel construction (painted) – ADCAPure range				P	
Stainless steel construction – ADCAPure range				H	
<b>Control signal</b>					
0,2 – 1 bar (3 – 15 psi)					15
0,4 – 1,2 bar (6 – 18 psi)					18
0,4 – 2 bar (6 – 30 psi)					30
0,4 – 2,4 bar (6 – 35 psi)					35

→ To be introduced on ".X.", if supplied in combination with the valve.

Example:

PV926A two way angle valve DN 50, with ASME BPE clamps, soft sealed with high performance EPDM and complete with reverse action actuator signal 0,4 – 1,2 bar, size 340A steel:

Code: PV.96A1D50.5RP30

REMARKS:

(1) Indicate actuator code.

ADCAPure control valves are identified by a serial number on a nameplate, located on the valve and/or actuator yoke.

When ordering spares, always use that serial number. If the valve has non-standard extras the serial number also has an E (extras).

\* For electric actuator ordering codes, consult manufacturer.