

**INTERMITTENT BLOWDOWN VALVES  
VPA26/2**

**DESCRIPTION**

The VPA26/2 series of blowdown valves are specially designed for application on steam boilers, to remove sludge sediments which naturally settle on the bottom of the boiler. These intermittent valves operate manually or automatically with timed control. Available with diaphragm actuator and/or manual operation lever.

**MAIN FEATURES**

- High quality hardened valve seat and plug.
- Manual or automatic intermittent timed control.
- Lockable in open position if supplied with manual operation lever.
- Practical foot operated lever.
- Maintenance free stem sealing.
- Tool-free quick exchangeable clamped-in seats, allowing fast and easy inline maintenance procedures.

**OPTIONS AND**

- ACCESSORIES:**
- Air filter regulator.
  - Solenoid valve with timer control unit.
  - Blowdown controllers.
  - Mechanical limit switches.
  - Inductive limit switch box.
  - Water actuated version.

**USE:** Intermittent blowdown of steam boilers.

**AVAILABLE**

- MODELS:**
- VPA26/2S – carbon steel.
  - VPA26/2i – stainless steel.

**SIZES:** 3/4" to 2" – DN 20 to DN 50.

- CONNECTIONS:**
- Flanged EN 1092-1 PN 40.
  - Flanged ASME B16.5 Class 300.



**CE MARKING – GROUP 2 (PED – European Directive)**

PN 40	Category
3/4" to 1" – DN 20 to 32	SEP
1 1/2" to 2" – DN 40 to 50	1 (CE Marked)

BODY LIMITING CONDITIONS					
VPA26/2S				VPA26/2i	
FLANGED PN 40 *		FLANGED CLASS 300 **		FLANGED PN 40 *	
ALLOWABLE PRESSURE	RELATED TEMPERATURE	ALLOWABLE PRESSURE	RELATED TEMPERATURE	ALLOWABLE PRESSURE	RELATED TEMPERATURE
40 bar	-10 °C/50 °C	50 bar	-10/50 °C	40 bar	-10 °C/50 °C
33,3 bar	200 °C	43,9 bar	200 °C	33,7 bar	200 °C
30,4 bar	250 °C	36,9 bar	350 °C	31,8 bar	250 °C
27,6 bar	300 °C	34,6 bar	400 °C	29,7 bar	300 °C
23,8 bar	400 °C	–	–	27,4 bar	400 °C

\* Rating according to EN 1092-1:2018; \*\* Rating according to EN 1759-1:2004.

**STEM SEALING**

**PTFE/GR V-RINGS (V1.2)**

-10 °C to 250 °C

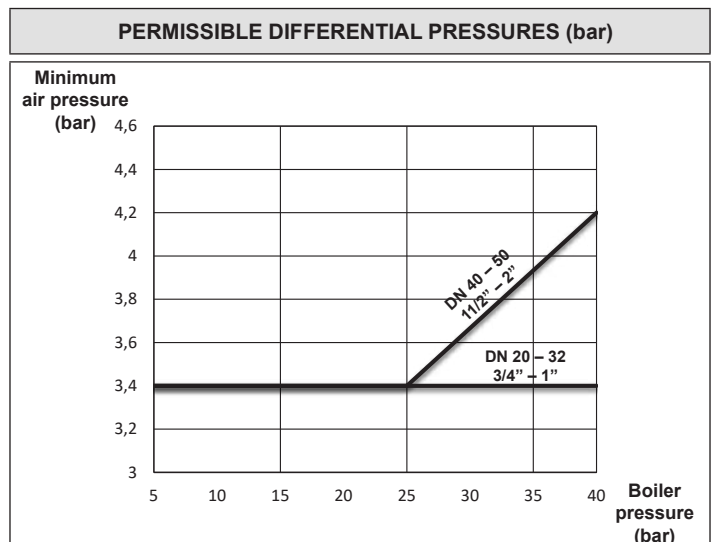
**FLOW RATE COEFFICIENTS (m<sup>3</sup>/h)**

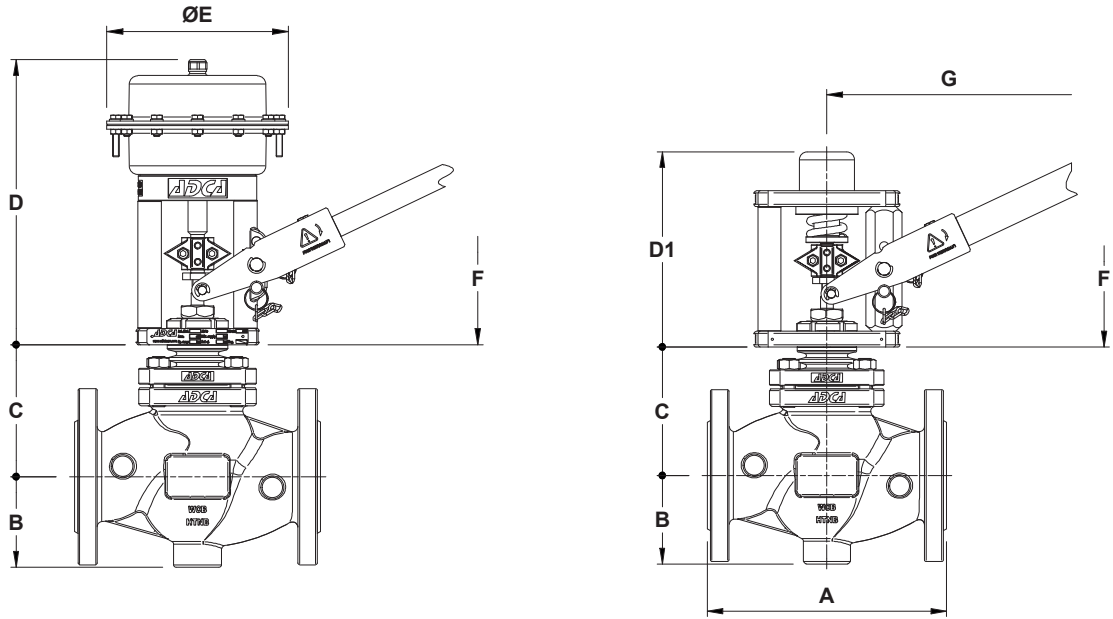
	SIZES				
	3/4" – DN 20	1" – DN 25	DN 32	1 1/2" – DN 40	2" – DN 50
<b>Kvs</b>	6,3	6,3	6,3	16	16

For conversion Kvs = Cv (US) x 0,865.

**ACTUATOR DATA**

<b>DIAPHRAGM AREA</b>	100 cm <sup>2</sup>
<b>SPRING RANGE</b>	2 to 3,2 bar
<b>STROKE</b>	12 mm
<b>AMBIENT TEMPERATURE</b>	-20 °C to 70 °C











DIMENSIONS (mm)						
DIMENSION		SIZE				
		3/4" – DN 20	1" – DN 25	DN 32	1 1/2" – DN 40	2" – DN 50
A	EN	150	160	180	200	230
	ASME	194 a)	197	–	235	267
B		53	53	58	70	75
C		104,5	104,5	109,5	109,5	113
D		267				
D1		188				
E		170				
HAND LEVER	F	216			297	
	G	415			655	
FOOT LEVER	F	211				
	G	417				

a) With welded-on flanges.

WEIGHTS (kg)					
	SIZE				
	3/4" – DN 20	1" – DN 25	DN 32	1 1/2" – DN 40	2" – DN 50
EN a)	12,5	13,4	16,1	19	22,7
EN b)	11,5	12,4	15,5	20,5	24,3
ASME a)	12,5	14,2	–	20,4	23,9
ASME b)	11,6	12,9	–	21,8	25,5

a) Valve with pneumatic actuator only; b) Valve with hand lever only.

OPTIONS AND ACCESSORIES	
<p><b>VALVE WITH PNEUMATIC ACTUATOR ONLY</b></p> 	<p><b>VALVE WITH PNEUMATIC ACTUATOR AND MANUAL OPERATION LEVER</b></p> 
<p><b>VALVE WITH MANUAL OPERATION LEVER ONLY</b></p> 	<p><b>SOLENOID VALVE AND AIR FILTER REGULATOR</b></p> 
<p><b>INDUCTIVE LIMIT SWITCH BOX</b></p> 	<p><b>MECHANICAL LIMIT SWITCHES</b></p> 

**MANUAL OPERATION LEVER VERSIONS**

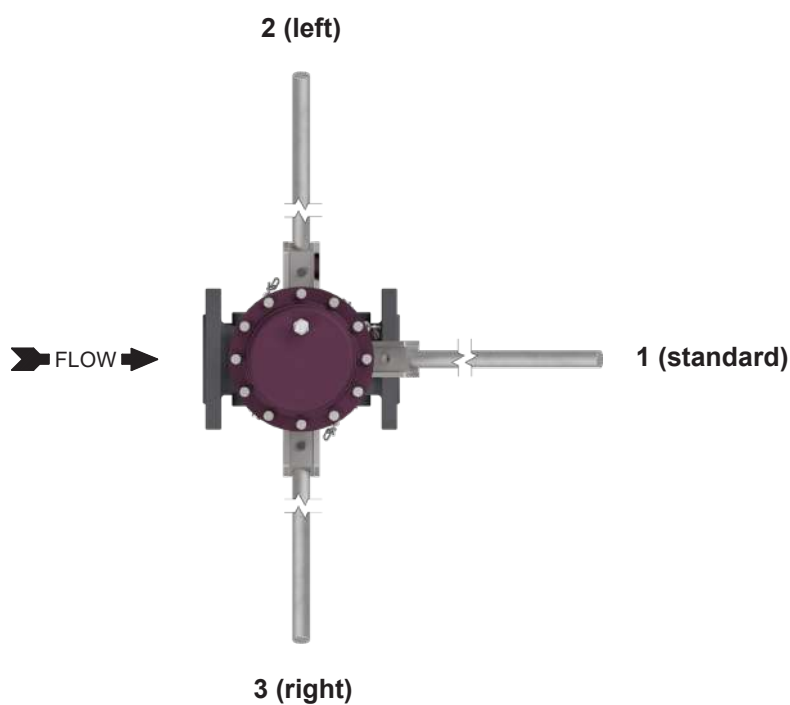
**HAND LEVER**



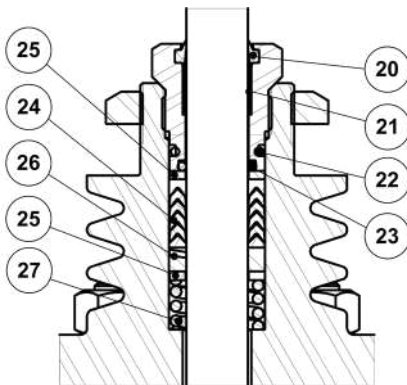
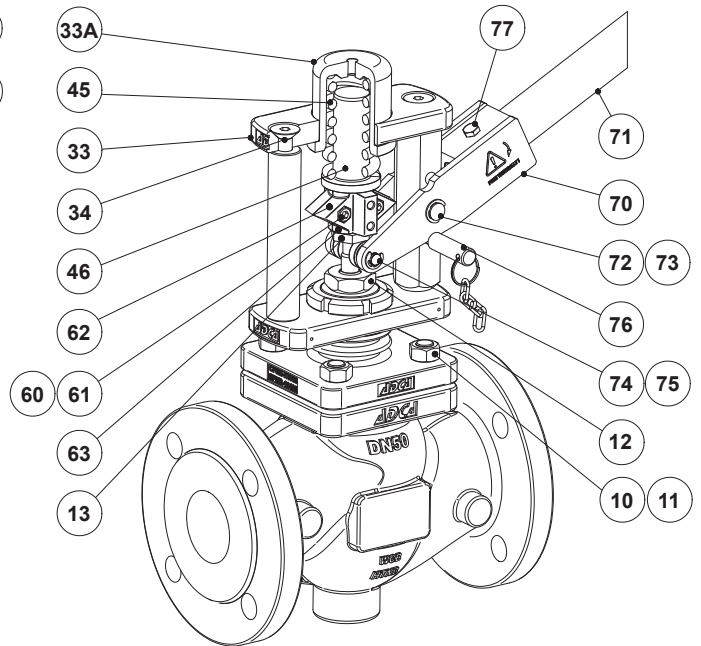
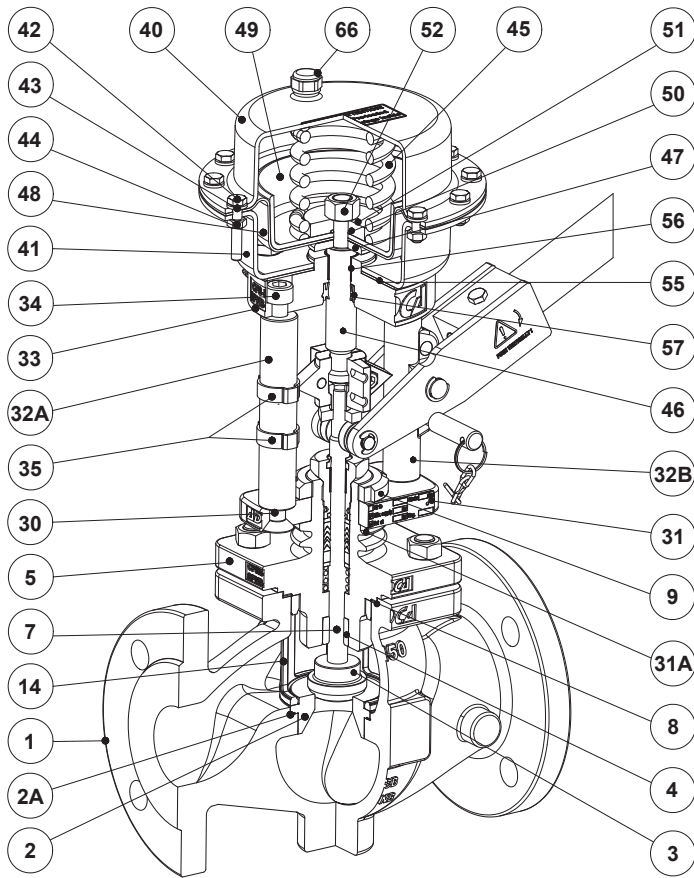
**FOOT LEVER**



**LEVER ORIENTATION**



The manual operation lever can be supplied with different orientations to better suit the valve's installation position. Orientations not shown in the image above are available under request.



PTFE/GR V-RINGS  
 (V1.2)

**MATERIALS**

POS. N°	DESIGNATION	MATERIAL
1	Valve body (VPA26/2S)	A216 WCB / 1.0619
	Valve body (VPA26/2i)	A351 CF8M / 1.4408
2	* Seat	Hardened stainless steel
2A	* Seat gasket	Stainless steel / Graphite
3	* Valve plug	Hardened stainless steel
4	Lower stem guide	Bronze CB1
5	Bonnet	A351 CF8M / 1.4408
7	* Stem	AISI 316L / 1.4404
8	* Gasket	Stainless steel / Graphite
9	Actuator lock nut	A351 CF8 / 1.4308
10	Nuts (VPA26/2S)	Steel 8.8
	Nuts (VPA26/2i)	Stainless steel A2-70
11	Studs (VPA26/2S)	34CrNiMo6 / 1.6582
	Studs (VPA26/2i)	Stainless steel A2-70
12	Packing nut	AISI 303 / 1.4305
13	Lock nut	AISI 304 / 1.4301
14	Seat retainer	A351 CF8M / 1.4408
20	* Scraper ring	Viton
21	* Plain bearing	Bronze / PTFE
22	* O-ring	EPDM
23	* O-ring	Viton
24	* Chevron packing set	PTFE; Graphite filled PTFE
25	Washer	AISI 304 / 1.4301
26	Stem guide	Stainless steel filled PTFE
27	Spring	AISI 302 / 1.4300
30	Bolts (steel)	Zinc plated steel
	Bolts (stainless steel)	Stainless steel A2-70
31	Lower actuator flange	A351 CF8 / 1.4308
31A	Cylindrical pin	AISI 303 / 1.4305
32A	Yoke column (steel)	C45E / 1.1191
	Yoke column (stainless steel)	AISI 303 / 1.4305
32B	Yoke lever column (steel)	C45E / 1.1191
	Yoke lever column (stainless steel)	A351 CF8 / 1.4308
33	Upper actuator flange	A351 CF8 / 1.4308
33A	Upper spring carrier	C45E / 1.1191
34	Bolts	Zinc plated steel
35	Crimp clamps	Zinc plated steel
40	Upper actuator cover	DD13 / 1.0335
41	Lower actuator cover	DD13 / 1.0335
42	Bolts (steel)	Zinc plated steel
	Bolts (stainless steel)	Stainless steel A2-70
43	Washers (steel)	Zinc plated steel
	Washers (stainless steel)	AISI 304 / 1.4301
44	Nuts (steel)	Zinc plated steel
	Nuts (stainless steel)	Stainless steel A2-70
45	Spring	Spring steel
46	Actuator stem	AISI 316 / 1.4401

**MATERIALS**

POS. N°	DESIGNATION	MATERIAL
47	Lower diaphragm disc	C45E / 1.1191
48	Diaphragm	Reinforced NBR
49	Diaphragm plate	DD13 / 1.0335
50	* O-ring	NBR
51	Spring guide	AISI 304 / 1.4301
52	Nut	Zinc plated steel
53	Bolts	Zinc plated steel
54	Washers	Zinc plated steel
55	* Gasket	NBR
56	* Plain bearing	Steel / PTFE
57	* Seal ring	Polyurethane
60	Bolts (steel)	Zinc plated steel
	Bolts (stainless steel)	Stainless steel A2-70
61	Nuts (steel)	Zinc plated steel
	Nuts (stainless steel)	Stainless steel A2-70
62	Coupling / travel indicator	A351 CF8 / 1.4308
63	Adapter	AISI 304 / 1.4301
65	Fitting	Zinc plated steel; plastic
66	Vent plug	Brass; plastic
70	Lever	AISI 316 / 1.4401
71	Hand lever handle	AISI 304 / 1.4301
	Foot lever handle	S235JR / 1.0038
72	Lever axis shaft	AISI 304 / 1.4301
73	Elastic ring	AISI 304 / 1.4301
74	Roller	AISI 304 / 1.4301
75	Elastic ring	AISI 304 / 1.4301
76	Lever locking pin	AISI 304 / 1.4301
77	Lever fixing bolt	Stainless steel A2-70



ORDERING CODES VPA26/2											
<b>Valve model</b>	VP26	2	S	AX	0	SX	1	FE	N	20	
Intermittent bottom blowdown valve, two way, straight body	VP26										
<b>Valve series</b>											
Series 2		2									
<b>Body material</b>											
A216 WCB / 1.0619 carbon steel			S								
A351 CF8M / 1.4408 stainless steel			I								
<b>Versions</b>											
Valve with actuator only				AX							
Valve with actuator and hand lever				AH							
Valve with actuator and foot lever				AF							
Valve with hand lever only				XH							
Valve with foot lever only				XF							
<b>Lever orientation</b>											
Without lever					0						
Standard position					1						
Lever rotated 90° to the left (relative to the flow direction)					2						
Lever rotated 90° to the right (relative to the flow direction)					3						
<b>Actuator</b>											
Steel construction						SX					
Stainless steel construction						IX					
Steel construction – water actuated						SW					
Stainless steel construction – water actuated						IW					
Without actuator						XX					
<b>Stem sealing</b>											
PTFE/GR V-rings (V1.2)							1				
<b>Flow rate coefficient</b>											
Kvs 6,3 (available only for 3/4" to 1" and DN 20 to DN 32)								FE			
Kvs 16 (available only for 1 1/2" to 2" and DN 40 to DN 50)								FG			
<b>Pipe connection</b>											
Flanged EN 1092-1 PN 40									N		
Flanged ASME B16.5 Class 300 a)									V		
<b>Size</b>											
3/4" or DN 20											20
1" or DN 25											25
DN 32											32
1 1/2" or DN 40											40
2" or DN 50											50
<b>Special valves / Extras</b>											
Full description or additional codes have to be added in case of a non-standard combination											E

a) Not available with A351 CF8M / 1.4408 stainless steel body (VPA26/2i).