

**DIRECT SOLENOID VALVE  
SV32**

**DESCRIPTION**

3/2 way solenoid valves are available as single station units and they are designed for use with compressed air, mainly applied where on-off control is required with pneumatic actuators.

**OPTIONS:** Other versions under request.

**USE:** Pneumatic actuator control, among others.

**AVAILABLE  
MODELS:**

SV32C – direct acting.  
SV32H – pilot operated.

**SIZES AND  
CONNECTIONS:**

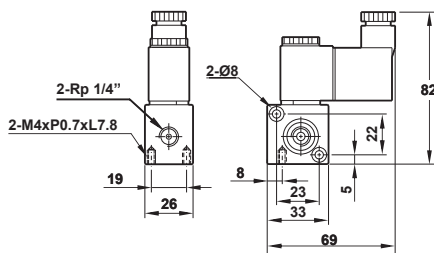
1/4" female threaded ISO 7 Rp.

**INSTALLATION:**

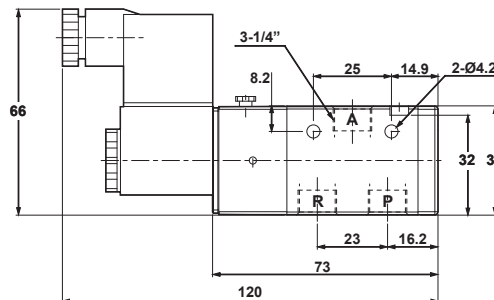
In any position.  
See IMI – Installation and maintenance instructions.



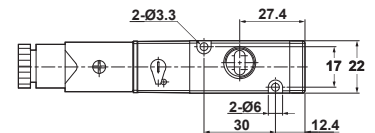
**DIMENSIONS**



**SV32C**



**SV32H**



TECHNICAL DATA		
TYPE	SV32C	SV32H
Body material	Aluminium alloy	
Sectional area	1,5 mm <sup>2</sup>	16 mm <sup>2</sup>
Action	Direct acting with spring return	Internal pilot
Operating pressure	0 to 8 bar	
Maximum proof pressure	10 bar	
Ambient temperature	-10 °C to 60 °C	
Duty cycle	100% ED	
Coil type	DIN	
Protection class	IP 65 (DIN 40 050)	
Insulation class	F	
Voltage tolerance	±10%	
Standard voltages	220 V AC, 110 V AC, 24 V DC	
Net weight	0,16 kg	0,18 kg