

AIR AND GAS FLOAT TRAPS FA25.1 (SG iron 1"; DN 25)

DESCRIPTION

The FA25.1 is a series of fully automatic ball float traps specially designed for condensate drainage in compressed air and gas systems. Typical applications include aftercoolers, separators and compressed air mains.

MAIN FEATURES

Modulating discharge.
Unaffected by sudden or wide load and pressure variations.
Flow direction can be easily changed by repositioning the body in relation to the mechanism and cover.

OPTIONS: Metal to metal sealing.
Equalizing (vent) and drain connections.
BDV – Blowdown valve.
AFZ – Anti-freeze device.
FLL – Float lifting lever.

USE: Compressed air and other non corrosive gases compatible with the construction.

AVAILABLE MODELS: FA25.1-4,5 , 10 and 14 – SG iron.

SIZES: 1"; DN 25.

CONNECTIONS: Female threaded ISO 7 Rp or NPT.
Flanged EN 1092-1/-2 PN 16.
Flanged ASME B16.42/B16.5 Class 150.

INSTALLATION: Inline horizontal or vertical installation.
Angled horizontal or vertical installation.
See IMI – Installation and maintenance instructions.

MAX. ΔP: FA25.1-4,5 – 4,5 bar
FA25.1-10 – 10 bar
FA25.1-14 – 14 bar

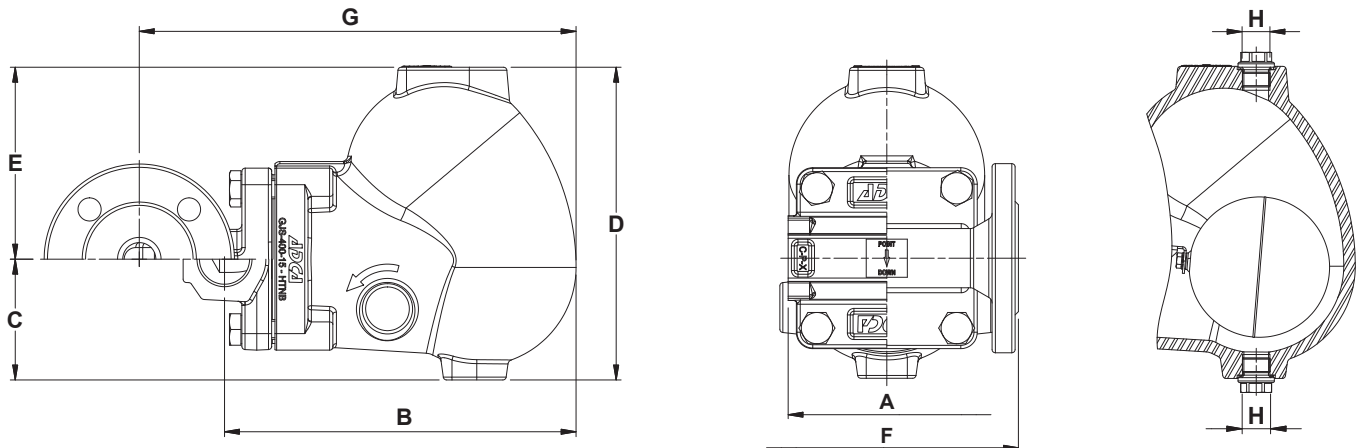


CE MARKING – GROUP 2 (PED – European Directive)	
PN 16	Category
1" – DN 25	SEP

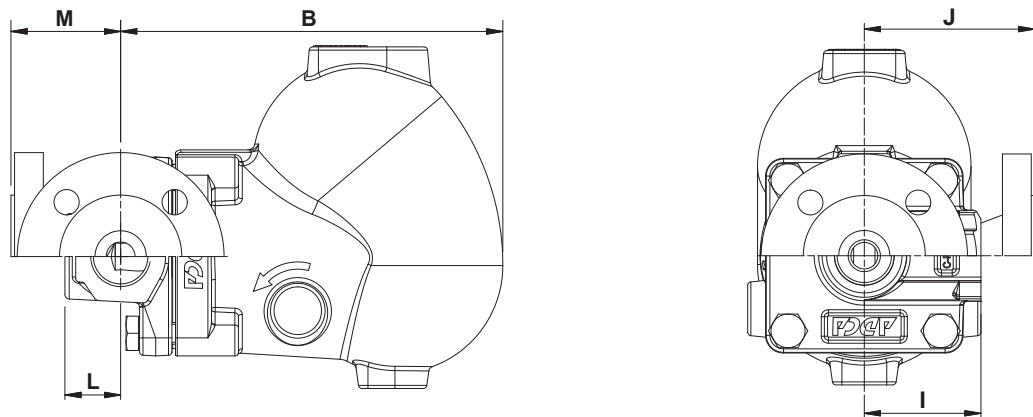
BODY LIMITING CONDITIONS		
FLANGED PN 16 *	FLANGED CLASS 150 **	RELAT. TEMP.
ALLOWABLE PRESSURE	ALLOWABLE PRESSURE	
16 bar	16 bar	100 °C
15,5 bar	14,8 bar	150 °C
14,7 bar	13,9 bar	200 °C
13,9 bar	12,1 bar	250 °C

PMO – Max. operating press.: 14 bar; TMO – Maximum operating temperature:
FPM / Viton valve sealing: 200 °C.
Metal to metal sealing: 250 °C.
Min. liquid specific weight: 0,75 kg/dm³.
* Acc. to EN 1092-2:2018; ** Acc. to ASME B16.42.

FLOW RATE CAPACITY (kg/h)										
MODEL	SIZE	DIFFERENTIAL PRESSURE (bar)								
		0,5	1	1,5	2	4,5	7	10	12	14
FA25.1-4,5	1" – DN 25	941	1330	1630	1882	2823	–	–	–	–
FA25.1-10	1" – DN 25	597	845	1035	1195	1793	2237	2674	–	–
FA25.1-14	1" – DN 25	455	644	788	910	1366	1704	2036	2231	2409



Inline design



Angled design

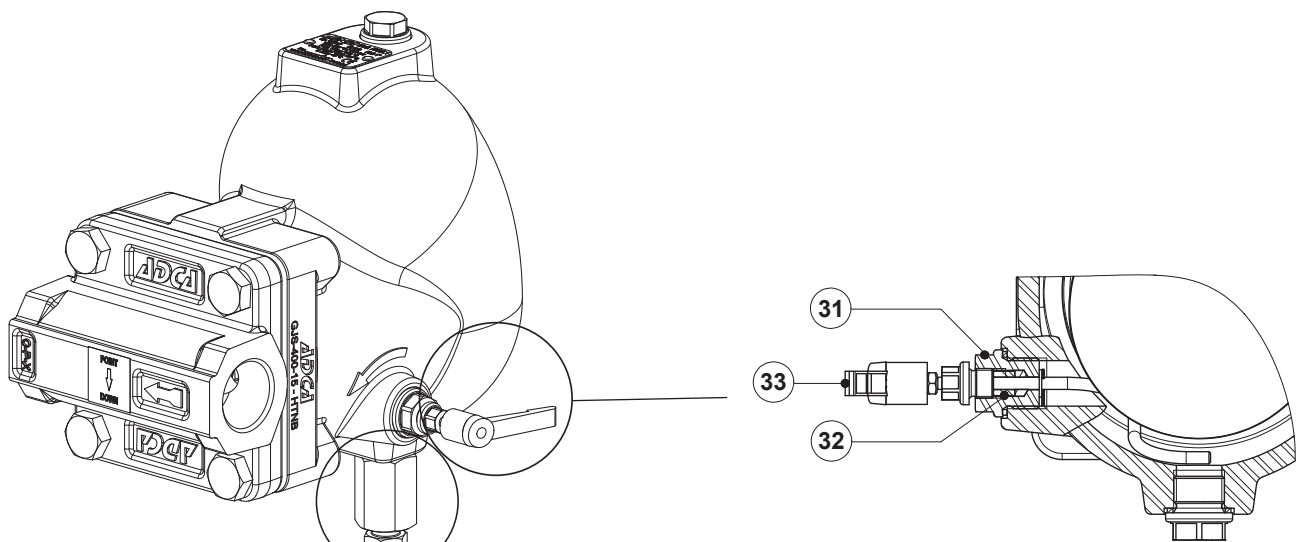
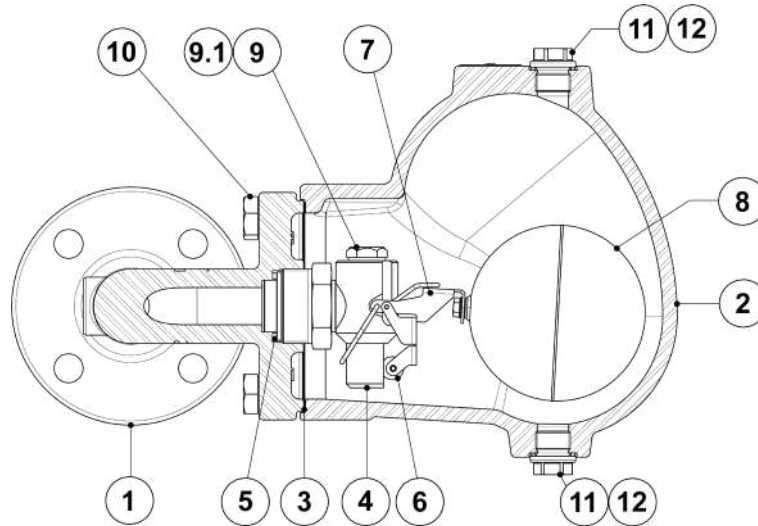
DIMENSIONS (mm) – INLINE DESIGN

SIZE	THREADED / SW							PN 16			CLASS 150		
	A	B	C	D	E	H *	WEIGHT (kg)	F	G	WEIGHT (kg)	F	G	WEIGHT (kg)
1" – DN 25	120	212	73	189	116	3/8"	8,9	160	264	12	160	264	11,9

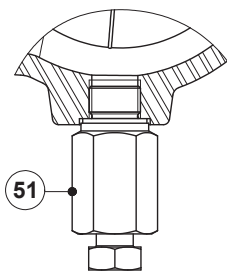
DIMENSIONS (mm) – ANGLED DESIGN

SIZE	THREADED / SW							PN 16			CLASS 150			
	B	C	D	E	H *	I	L	WGT. (kg)	J	M	WGT. (kg)	J	M	WGT. (kg)
1" – DN 25	212	73	189	116	3/8"	65	31	8,4	95	61	11	100	66	10,5

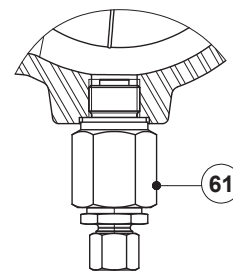
* As standard, in versions with EN flanges or female ISO 7 Rp threads, these connections are female threaded ISO 228. In versions with ASME flanges, female NPT threads or SW, these connections are female threaded NPT.



FLL - Float lifting lever



BDV - Blowdown valve
 (Manual)

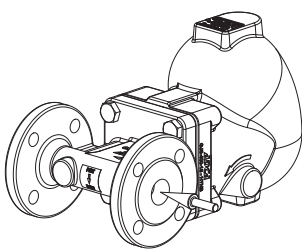


AFZ - Anti-freeze device
 (Automatic)

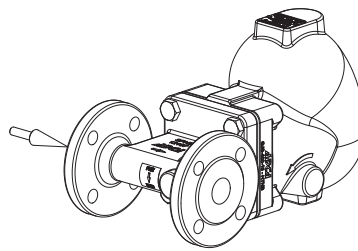
MATERIALS		
POS. N°	DESIGNATION	MATERIAL
1	Body (inline flanged)	GJS-400-15 / 0.7040
	Body (inline threaded)	P250GH / 1.0460
	Body (angled)	P250GH / 1.0460
2	Cover	GJS-400-15 / 0.7040
3	* Gasket	Stainless steel / Graphite
4	* Seat	AISI 303 / 1.4305
5	* Gasket	Copper
6	* Valve ball	AISI 316 / 1.4401; Viton
7	* Lever	AISI 304 / 1.4301
8	* Float	AISI 304 / 1.4301
9	Plug	AISI 316L / 1.4404
9.1	Gasket	Copper
10	Bolts	Zinc plated steel
11	Plug	AISI 316L / 1.4404
12	** Gasket	Copper; AISI 304 / 1.4301
31	Lever mechanism	AISI 303 / 1.4305 ; AISI 304 / 1.4301; AISI 316L / 1.4404
32	Packing	Graphite
33	Lever	Plastic
51	Blowdown valve	AISI 303 / 1.4305; AISI 316L / 1.4404
61	Anti-freeze device	AISI 303 / 1.4305; AISI 316L / 1.4404

* Available spare parts; ** Not applicable in NPT version.

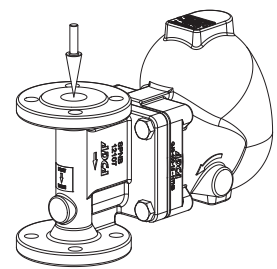
FLOW DIRECTION



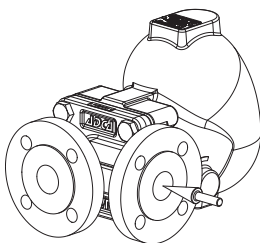
IR - Horizontal from right to left



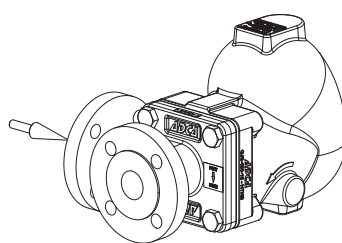
IL - Horizontal from left to right



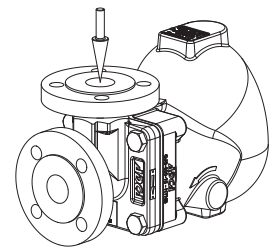
IT - Vertical from top to bottom



AR - Angled from right to front



AL - Angled from left to front



AT - Angled from top to front

ORDERING CODES FA25.1										
Model	FA251	2	V	XX	X	IR	A	25		
FA25.1	FA251									
Differential pressure										
4,5 bar		2								
10 bar		3								
14 bar		4								
Valve sealing										
FPM / Viton (standard)			V							
Metal to metal			M							
Cover connections										
None				XX						
3/8" threaded connections on top and bottom, closed with plugs (mandatory if any options are considered)					10					
Options										
If any, these have specific separate ordering codes, please refer to the appropriate documentation.										
FLL - Float lifting lever										
None					X					
Lifting lever on the right side (when facing the steam trap body)						R				
Lifting lever on the left side (when facing the steam trap body)						L				
Flow direction										
Inline horizontal from right to left (standard)							IR			
Inline horizontal from left to right							IL			
Inline vertical from top to bottom							IT			
Angled from right to front							AR			
Angled from left to front							AL			
Angled from top to front							AT			
Pipe connections										
Female threaded ISO 7 Rp								A		
Female threaded NPT								C		
Flanged EN 1092-1/-2 PN 16								L		
Flanged ASME B16.42 / B16.5 Class 150								U		
Size										
1" or DN 25									25	
Special valves / Extras										
Full description or additional codes have to be added in case of a non-standard combination										E