

AUTOMATIC AIR AND GAS VENTS FOR LIQUID SYSTEMS AE16SS

DESCRIPTION

The AE16SS all stainless steel air eliminator removes air from HVAC systems and are also suitable for non corrosive and/or dangerous liquids compatible with the construction, providing that their specific weight is no less than 0,75 kg/dm³.

This ball float type automatic air eliminator can be used in combination with other air elimination and separation systems or directly applied at high points in the piping.

MAIN FEATURES

Corrosion resistant working parts.

Replaceable internal parts.

USE: Cold and hot water systems.

AVAILABLE

MODELS: AE16SSE – EPDM valve.
AE16SSV – VITON valve.

SIZES: 1/2" and 3/4".

CONNECTIONS: Female threaded ISO 7 Rp or NPT.
1/2" or 3/4" vertical inlet.
1/2" vertical outlet.

INSTALLATION: Vertical installation. It must be installed absolutely vertically at points in the plant where the air tends to collect. The drain should be piped to a safe position.
See IMI – Installation and maintenance instructions.



APPLICATION LIMITS	
Min. liquid specific weight	0,75 kg/dm ³
Maximum working diff. pressure	12 bar

CE MARKING – GROUP 2 (PED – European Directive)	
PN 16	Category
1/2" and 3/4"	SEP

BODY LIMITING CONDITIONS	
THREADED PN 16 ALLOWABLE PRESSURE	RELATED TEMPERATURE
16 bar	100 °C
14,5 bar	150 °C
13,4 bar	200 °C
12,7 bar	250 °C

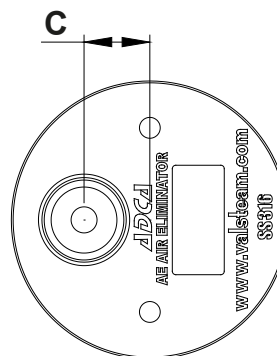
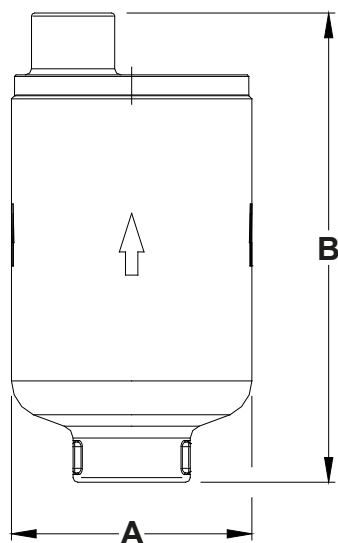
PMO – Maximum operating pressure: 14 bar.
TMO – Max. operating temp. (EPDM valve): 130 °C.
TMO – Max. operating temp. (Viton valve): 150 °C.

FLOW RATE CAPACITY (NL/min)													
MODEL	SIZE	DIFFERENTIAL PRESSURE (bar)											
		0,5	1	2	3	4	5	6	7	8	10	12	
AE16SS	1/2" and 3/4"	47	70	109	145	182	218	255	291	327	400	473	

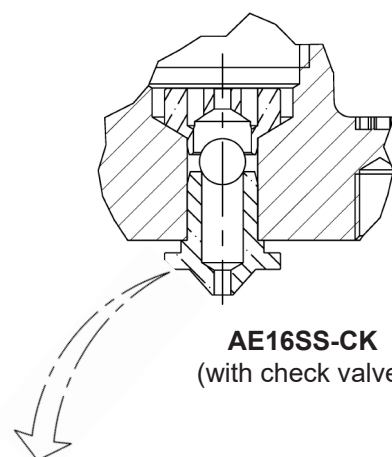
Capacities shown refer to the capacity of air discharge at 15 °C, under atmospheric pressure.

If the temperature of the air differs from 15 °C, the discharge capacity can be corrected by multiplying it by: $\frac{288}{273 + T}$, where T is the actual temperature in °C.

It may be assumed that the temperature of the air is equal to the temperature of the water.



DIMENSIONS (mm)				
SIZE	A	B	C	WEIGHT (kg)
1/2"	78	152	19	1,5
3/4"	78	152	19	1,5



AE16SS-CK
 (with check valve)

MATERIALS		
POS. N°	DESIGNATION	MATERIAL
1	Body	A351 CF8M / 1.4408
2	Cover	A351 CF8M / 1.4408
3	* O-ring	EPDM
4	* Seat	AISI 316 / 1.4401
5	* Valve	Viton or EPDM
6, 8	* Lever	AISI 304 / 1.4301
7	* Float	AISI 304 / 1.4301

* Available spare parts.

