

## PIPELINE Y STRAINERS IS140

### DESCRIPTION

The IS140 strainers are applicable to all types of steam, water, oil and air systems.

Their purpose is to protect traps, regulating valves, piping, etc. from dirt and impurities, which are often the cause of damage and consequent energy loss of fluid systems.

**OPTIONS:** Different screen aperture sizes.  
Drain plug or drain valve in strainer cap.

**USE:** Saturated steam, water, oil, air and other fluids compatible with the construction materials.

### AVAILABLE MODELS:

IS140S – cast steel.  
IS140I – stainless steel.

**SIZES:** 1/2" to 2".

**SCREENS:** 0,8 mm aperture.

**CONNECTIONS:** Female threaded ISO 7 Rp or NPT.

**INSTALLATION:** Horizontal or vertical downstream installation.  
See IMI – Installation and maintenance instructions.



BODY LIMITING CONDITIONS *		
IS140S ALLOWABLE PRESSURE	IS140I ALLOWABLE PRESSURE	RELATED TEMP.
40 bar	40 bar	- 10 °C / 50 °C
33,3 bar	33,7 bar	200 °C
27,6 bar	29,7 bar	300 °C
25,7 bar	28,5 bar	350 °C
23,8 bar	27,4 bar	400 °C

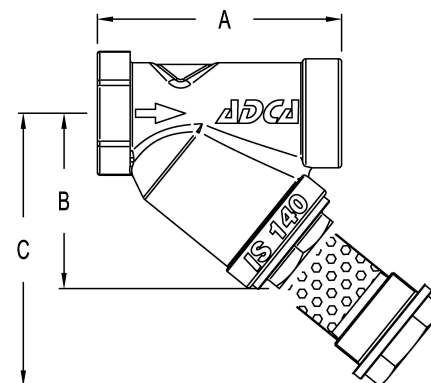
\* Rating according to EN 1092-1:2018

### CE MARKING – GROUP 2 (PED – European Directive)

PN 40	Category
1/2" to 1 1/4"	SEP
1 1/2" to 2"	1 (CE marked)

### DIMENSIONS (mm)

SIZE	A	B	C	WEIGHT (kg)
1/2"	85	63	107	0,6
3/4"	100	80	139	1
1"	115	87	155	1,5
1 1/4"	143	107	192	2,5
1 1/2"	160	125	215	3,6
2"	198	142	242	5,7



### MATERIALS

POS. N°	DESIGNATION	IS140S	IS140I
1	Body	A216 WCB / 1.0619	A351 CF8M / 1.4408
2	Cap	A105 / 1.0432	AISI 316 / 1.4401
3	* Gasket	Stainless steel / Graphite	Stainless steel / Graphite
4	* Strainer screen	AISI 304 / 1.4301	AISI 304 / 1.4301

\* Available spare parts.

