

THREE PIECE BALL VALVES M3S1

DESCRIPTION

The M3S1 three piece ball valves are full bore isolating valves designed for on/off applications with steam, condensate and other gases and liquids compatible with the construction.

MAIN FEATURES

- Full bore floating ball design.
- Can be serviced without removal from pipeline.
- Bidirectional.
- Blow-out proof stem design.
- Antistatic device.

OPTIONS: Different sealing materials.
Fire safe design.

USE: Steam, gases and liquids compatible with the construction.

AVAILABLE MODELS: M3S1 – zinc plated carbon steel.

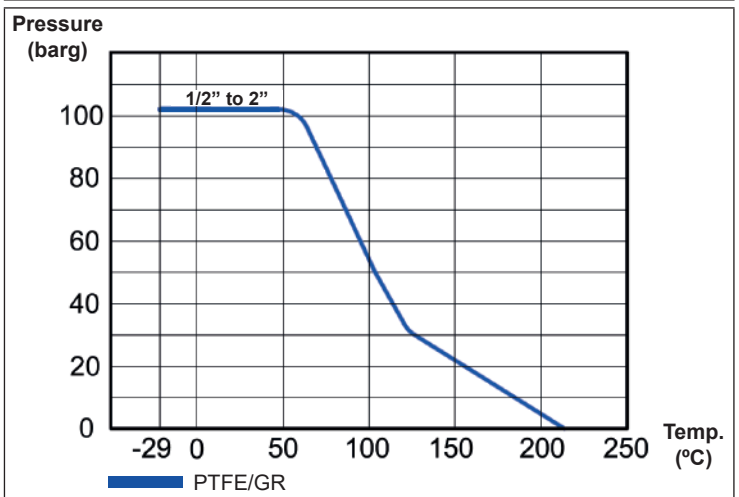
SIZES: 1/2" to 2".

CONNECTIONS: Female threaded ISO 7 Rp or NPT.
Socket weld (SW) ASME B16.11.
Butt weld (BW) ASME B16.25.

INSTALLATION: See IMI – Installation and maintenance instructions.

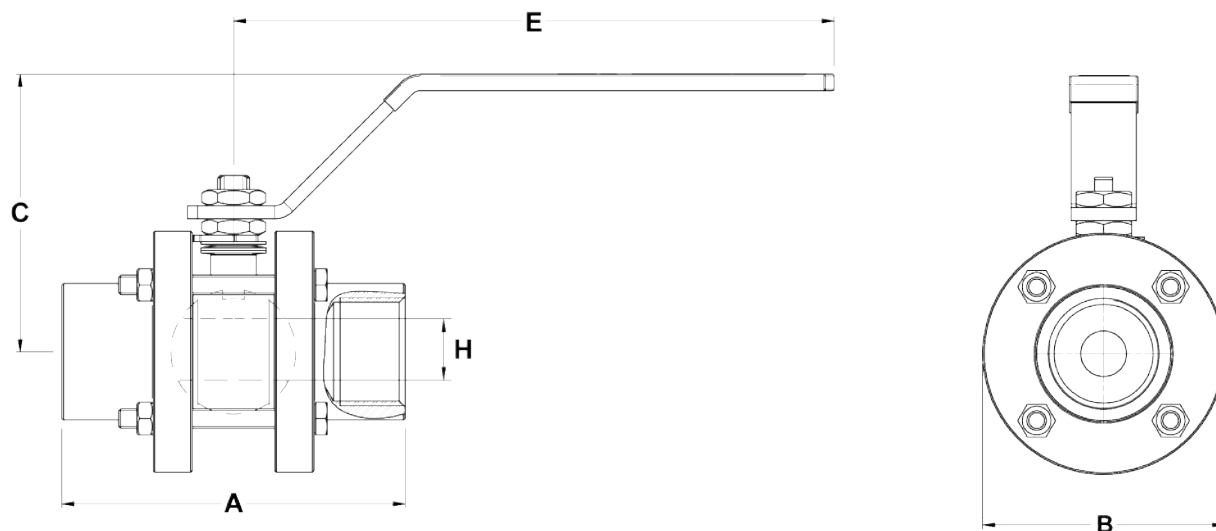


BODY LIMITING CONDITIONS



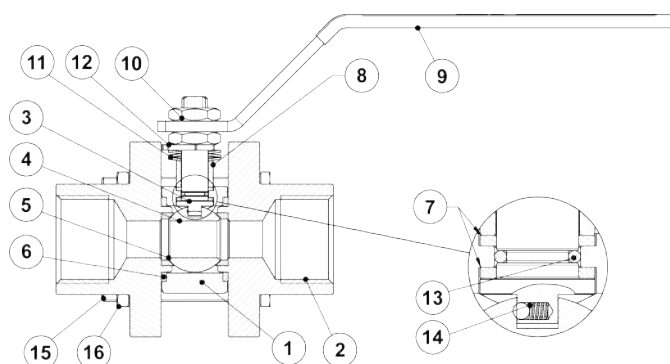
CE MARKING – GROUP 2 (PED – European Directive)

| PN 100 | Category |
|---------------|---------------|
| 1/2" to 11/4" | SEP |
| 11/2" to 2" | 1 (CE marked) |



| DIMENSIONS (mm) | | | | | | |
|-----------------|-----|-----|-----|-----|----|-------------|
| SIZE | A | B | C | E | H | WEIGHT (kg) |
| 1/2" | 80 | 60 | 75 | 145 | 14 | 0,7 |
| 3/4" | 95 | 80 | 85 | 185 | 20 | 1,4 |
| 1" | 105 | 90 | 85 | 185 | 25 | 2,2 |
| 1 1/4" | 120 | 110 | 100 | 270 | 32 | 3,3 |
| 1 1/2" | 130 | 120 | 110 | 270 | 38 | 4,3 |
| 2" | 145 | 130 | 115 | 270 | 48 | 7,3 |

| MATERIALS | | |
|-----------|--------------------|-------------------|
| POS. N° | DESIGNATION | MATERIAL |
| 1 | Body | A105 / 1.0432 |
| 2 | Body cap | A105 / 1.0432 |
| 3 | Stem | AISI 316 / 1.4401 |
| 4 | Ball | AISI 304 / 1.4301 |
| 5 | * Seat | PTFE/GR |
| 6 | * Body gasket | PTFE/GR |
| 7 | * Stem gasket | PTFE/GR |
| 8 | Gland | AISI 304 / 1.4301 |
| 9 | Lever | Zinc plated steel |
| 10 | Gland nut | Zinc plated steel |
| 11 | Washer springs | Spring steel |
| 12 | Stop plate | Zinc plated steel |
| 13 | Stem o-ring | Viton |
| 14 | Anti-static device | AISI 304 / 1.4301 |
| 15 | Bolts | Zinc plated steel |
| 16 | Nuts | Zinc plated steel |



* Available spare parts