

HUMIDITY SEPARATORS S30 PN 16 and PN 40

DESCRIPTION

The S30 series baffle separators remove moisture from steam and compressed air pipelines. Steam and compressed air pass through the separator and, as a result of expansion, impact and swirling effects, the particles with a heavier specific gravity, such as water and oil droplets, moisture in suspension, dirt and scale, are separated from the fluid.

The condensate collected at the bottom of the separator must be automatically drained by a suitable steam or compressed air trap.

MAIN FEATURES

Several possibilities of installation.

No moving parts.

Maintenance-free design.

OPTIONS: Flanged condensate connection.

USE: Steam, compressed air and other gases.

AVAILABLE

MODELS: S30/S – carbon steel, baffle design.

SIZES: DN 15 to DN 300.

CONNECTIONS: Flanged EN 1092-1 PN 16 or PN 40.
Flanged ASME B16.5 Class 150 or 300 on request.
Female threaded ISO 7 Rp or NPT on request.

INSTALLATION: Always with the condensate discharge pointing downwards.
See IMI – Installation and maintenance instructions.



CE MARKING – GROUP 2 (PED – European Directive)

PN 16	Category	PN 40	Category
DN 15 to 25	SEP	DN 15 to 32	1 (CE marked)
DN 32 to 50	1 (CE marked)	DN 40 to 80	2 (CE marked)
DN 65 to 125	2 (CE marked)	DN 100 to 150	3 (CE marked)
DN 150 to 200	3 (CE marked)	DN 200 to 300	4 (CE marked)
DN 250 to 300	4 (CE marked)	–	–

BODY LIMITING CONDITIONS *

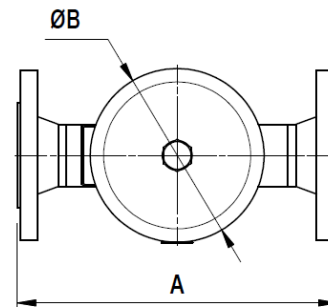
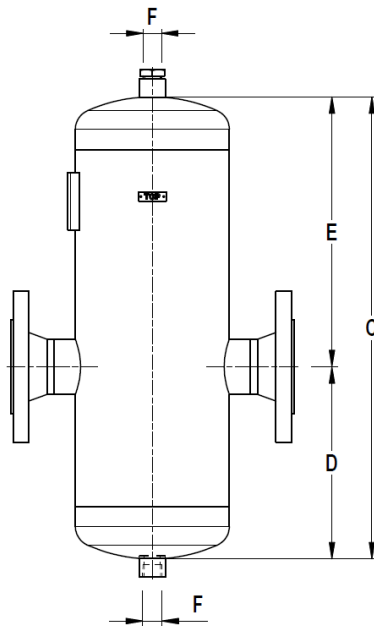
FLANGED PN 16		FLANGED CLASS 150		FLANGED PN 40 / CLASS 300	
ALLOW. PRESS.	RELATED TEMP.	ALLOW. PRESS.	RELATED TEMP.	ALLOW. PRESS.	RELATED TEMP.
16 bar	50 °C	16 bar	50 °C	40 bar	50 °C
14 bar	100 °C	14 bar	100 °C	37 bar	100 °C
13 bar **	195 °C	13 bar **	195 °C	31 bar **	239 °C
12 bar	250 °C	–	–	27 bar	300 °C

* Rating according to EN 1092-1:2018; ** PMO – Maximum operating pressure for saturated steam.
Minimum operating temperature: -10 °C; Design code: AD-Merkblatt.

MATERIALS	
DESIGNATION	MATERIAL
Body	P235GH / 1.0325
Heads	P265GH / 1.0425
Inlet / outlet pipes	P235GH / 1.0325
EN flanges	P250GH / 1.0460
ASME flanges	ASTM A105 / 1.0432
Sockets	ASTM A105 / 1.0432
Internals	S235JR / 1.0038

FLANGE CONNECTIONS			
Rating	Size	EN Standard	ASME Standard
PN 16	* DN 15 to 50	EN 1092-1 PN 40	ASME B16.5 Cl. 150
PN 16	DN 65 to 300	EN 1092-1 PN 16	ASME B16.5 Cl. 150
PN 40	DN 15 to 300	EN 1092-1 PN 40	ASME B16.5 Cl. 300

* Flanges EN 1092-1 PN 16 and PN 40, from DN 15 to DN 50, have the same number and size of holes.



APPROXIMATE DIMENSIONS (mm) *											
SIZE	A PN 16	A PN 40	A CL. 150	A CL. 300	B	C	D	E	F **	VOLUME (L)	WEIGHT (kg)
1/2" – DN 15	230	230	250	259	114	320	130	190	1/2"	2,7	6,3
3/4" – DN 20	230	230	255	264	114	320	130	190	1/2"	2,7	6,9
1" – DN 25	230	230	262	274	114	320	130	190	1/2"	2,8	7,3
1 1/4" – DN 32	260	260	290	303	140	395	170	225	1/2"	5,1	12
1 1/2" – DN 40	260	260	294	307	140	435	190	245	1/2"	5,7	13,3
2" – DN 50	310	310	341	354	168	505	210	295	1/2"	9,8	19
2 1/2" – DN 65	380	394	430	442	219	550	240	310	3/4"	17,9	30,8
3" – DN 80	400	416	440	459	219	610	290	320	3/4"	20	35
4" – DN 100	470	490	520	530	273	715	300	415	3/4"	37,6	49,6
5" – DN 125	535	561	605	622	324	845	350	495	1"	62,8	75,4
6" – DN 150	565	605	633	652	356	960	400	560	1"	86,2	101,2
8" – DN 200	605	650	685	700	406	1170	450	720	1"	139	158,7
10" – DN 250	720	790	784	815	508	1540	610	930	1 1/2"	283	301
12" – DN 300	860	914	933	964	610	1700	740	960	1 1/2"	452	433,9

* For certified values, consult manufacturer. Volume and weight refer to PN 16 version. Other versions may have slightly different values.

** As standard, in separators manufactured with EN 1092-1 flanges, the drain connection is female threaded ISO 7 Rp. In models with ASME B16.5 flanges, this connection is female threaded NPT. Alternatively, EN 1092-1 or ASME B16.5 flanged drain connections can be supplied (ASME on the same class as main connections).

Remarks: The top of the separator is supplied with a threaded connection, which size does not exceed the size of the drain connection. This connection is always supplied with a threaded socket. It can be used for air venting or balance pipe connection.