

## INVERTED BUCKET STEAM TRAPS IB36i

### DESCRIPTION

The IB36i is a series of robust and versatile inverted bucket steam traps manufactured in stainless steel.

These steam traps operate intermittently, and are suitable for use with low to high pressure saturated or superheated steam.

Typical applications include drip points, steam tracing lines, dryers, chemical and laundry equipment.

### MAIN FEATURES

- Intermittent discharge.
- Discharges condensate at steam temperature.
- Unaffected by water hammer and vibrations.
- Robust and versatile.
- Easy to maintain.

**OPTIONS:** BDV – Blowdown valve.  
AFZ – Anti-freeze device.

**USE:** Saturated and superheated steam.

**AVAILABLE MODELS:** IB36i-5, 10, 15 and 27 – stainless steel.

**SIZES:** 1/2" to 1"; DN 15 to DN 25.

**CONNECTIONS:** Female threaded ISO 7 Rp or NPT.  
Flanged EN 1092-1 PN 40.  
Flanged ASME B16.5 Class 150 or 300.  
Socket weld (SW) ASME B16.11.  
Butt weld (BW) ASME B16.25 on request.

**INSTALLATION:** Horizontal installation.  
See IMI – Installation and maintenance instructions.

**MAX. ΔP:** IB36i-5 – 5 bar  
IB36i-10 – 10 bar  
IB36i-15 – 15 bar  
IB36i-27 – 27 bar



BODY LIMITING CONDITIONS		
FLANGED PN 40 / CLASS 300	FLANGED CLASS 150 *	RELATED TEMP.
ALLOWABLE PRESSURE	ALLOWABLE PRESSURE	
37 bar	15,3 bar	50 °C
30 bar	13,3 bar	100 °C
28,8 bar	11,1 bar **	200 °C
26,6 bar **	10,2 bar	250 °C
25,2 bar	9,7 bar	300 °C
23,1 bar	6,5 bar	400 °C

\* According to EN 1759-1:2004.

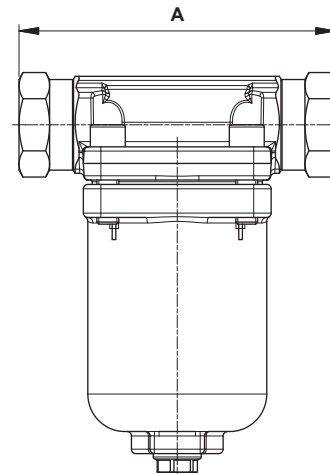
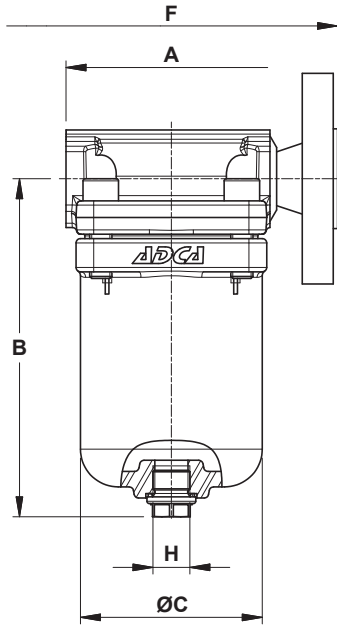
\*\* PMO – Maximum operating pressure.

TMO – Maximum operating temperature: 400 °C.

Body limiting conditions PN 40 or below, depending on the type of connection adopted. Rating PN 40 for threaded, SW and BW versions.

CE MARKING – GROUP 2 (PED – European Directive)	
PN 40	Category
1/2" to 1" – DN 15 to 25	SEP

FLOW RATE CAPACITY (kg/h)														
MODEL	SIZE	DIFFERENTIAL PRESSURE (bar)												
		1	2	3	4	5	6	7	8	9	10	15	20	27
IB36i-5	1/2" to 1" – DN 15 to 25	290	400	495	550	610	–	–	–	–	–	–	–	–
IB36i-10	1/2" to 1" – DN 15 to 25	225	300	350	395	420	470	490	520	540	560	–	–	–
IB36i-15	1/2" to 1" – DN 15 to 25	190	255	295	330	370	390	410	445	465	490	520	–	–
IB36i-27	1/2" to 1" – DN 15 to 25	130	180	210	225	265	285	300	315	340	355	415	450	470



Only for 1" threaded version  
(with welded coupling)

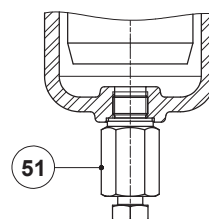
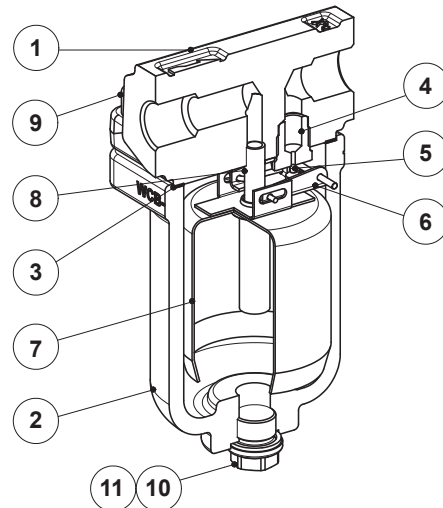
DIMENSIONS (mm)													
THREADED						SW		PN 40		CLASS 150		CLASS 300	
SIZE	A	B	ØC	H *	WEIGHT (kg)	A	WEIGHT (kg)	F	WEIGHT (kg)	F	WEIGHT (kg)	F	WEIGHT (kg)
1/2" – DN 15	95	153	82	3/8"	3,9	95	3,9	150	5,4	150	4,8	150	5,3
3/4" – DN 20	95	153	82	3/8"	3,8	95	3,8	150	5,9	150	5,2	150	6,2
1" – DN 25	145 **	153	82	3/8"	4	95	3,8	160	6,3	160	5,7	160	6,8

\* As standard, in versions with EN flanges or female Rp threads, this connection is female threaded ISO 7 Rp. In versions with ASME flanges, female NPT threads or SW, this connection is female threaded NPT.

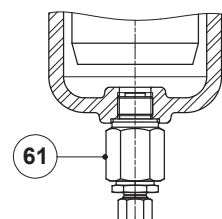
\*\* With welded coupling.

MATERIALS		
POS. N°	DESIGNATION	MATERIAL
1	Body	AISI 316L / 1.4404
2	Cover	A351 CF8M / 1.4408
3	* Gasket	Stainless steel / Graphite
4	* Seat	AISI 440C / 1.4125
5	* Valve	AISI 420 / 1.4021
6	* Lever	AISI 304 / 1.4301
7	* Bucket	AISI 304 / 1.4301
8	Inlet tube	AISI 316L / 1.4404
9	Bolts	Stainless steel A2-70
10	Plug	AISI 316 / 1.4401
11	** Washer	Copper; AISI 304 / 1.4301
51	Blowdown valve	AISI 303 / 1.4305; AISI 316L / 1.4404
61	Anti-freeze device	AISI 303 / 1.4305; AISI 316L / 1.4404

\* Available spare parts; \*\* Not applicable in NPT version.



BDV - Blowdown valve  
(Manual)



AFZ - Anti-freeze device  
(Automatic)