

FLOAT AND THERMOSTATIC STEAM TRAPS FLT20 (SG iron ; 1/2" to 1" – DN 15 to 25)

DESCRIPTION

The FLT20 is a series of float and thermostatic steam traps with integral air vent designed for modulating discharge of condensate, ensuring maximum system heat transfer.

Typical applications include unit heaters, heat exchangers, dryers, jacketed vessels and other applications where continuous discharge is essential.

MAIN FEATURES

Modulating discharge of condensate at steam temperature.
Unaffected by sudden or wide load and pressure variations.
No backing-up with condensate.

Excellent air discharge through its integrated air vent.

Flow direction can be easily changed by repositioning the body in relation to the mechanism and cover.

OPTIONS: Equalizing (vent) and drain connections.
SLR – Steam lock release.
HVV – Hand vent valve.
BDV – Blowdown valve.
AFZ – Anti-freeze device.
VB21M – Vacuum breaker.

USE: Saturated and superheated steam.

AVAILABLE MODELS: FLT20-4,5 , 10 and 14 – SG iron.

SIZES: 1/2" to 1"; DN 15 to DN 25.

CONNECTIONS: Female threaded ISO 7 Rp or NPT.
Flanged EN 1092-1/-2 PN 16.
Flanged ASME B16.42 Class 150.

INSTALLATION: Inline horizontal or vertical installation.
Angled horizontal or vertical installation.
See IMI – Installation and maintenance instructions.

MAX. ΔP: FLT20-4,5 – 4,5 bar
FLT20-10 – 10 bar
FLT20-14 – 14 bar



CE MARKING – GROUP 2 (PED – European Directive)

PN 16	Category
1/2" to 1" – DN 15 to 25	SEP

BODY LIMITING CONDITIONS		
FLANGED PN 16 *	FLANGED CLASS 150 **	RELAT. TEMP.
ALLOWABLE PRESSURE	ALLOWABLE PRESSURE	
16 bar	16 bar	100 °C
15,5 bar	14,8 bar	150 °C
14,7 bar	13,9 bar	200 °C
13,9 bar	12,1 bar	250 °C

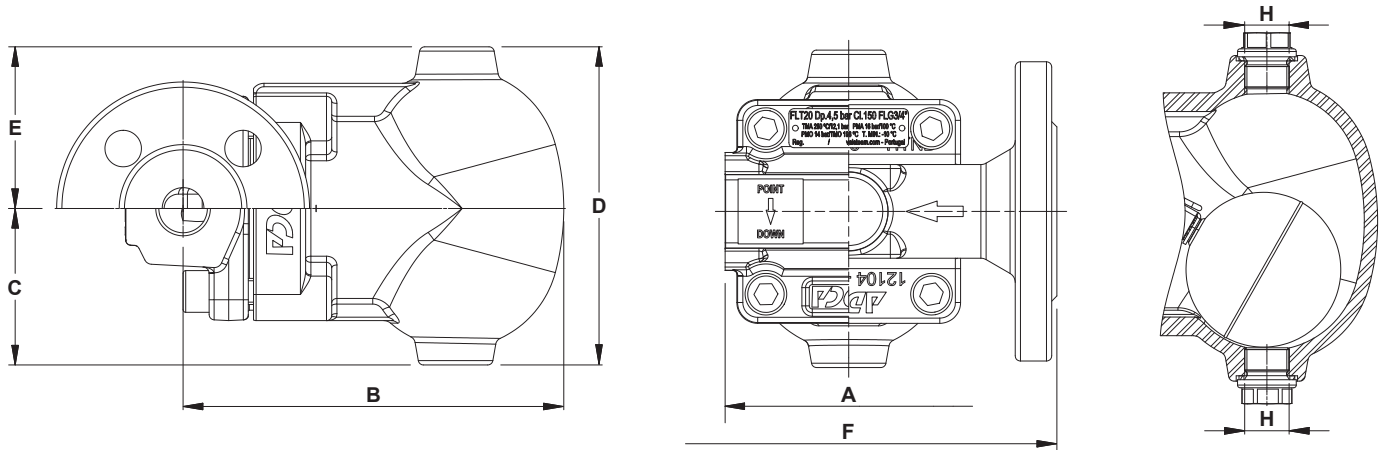
PMO – Maximum operating pressure: 14 bar.

TMO – Maximum operating temperature: 250 °C.

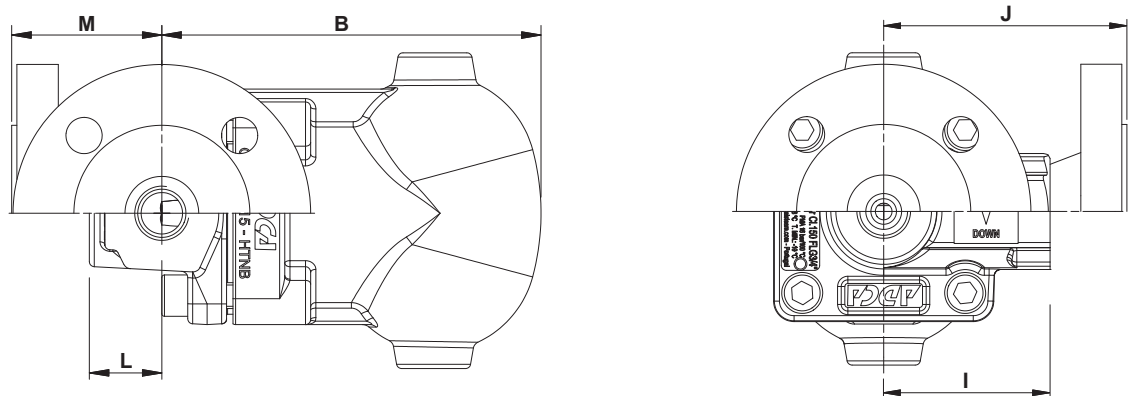
* Acc. to EN 1092-2:2018; ** Acc. to ASME B16.42.

Body limiting conditions PN 16 or below, depending on the type of connection adopted. Rating PN 16 for threaded versions.

FLOW RATE CAPACITY (kg/h)										
MODEL	SIZE	DIFFERENTIAL PRESSURE (bar)								
		0,5	1	1,5	2	4,5	7	10	12	14
FLT20-4,5	1/2" to 1" – DN 15 to 25	220	280	320	360	495	–	–	–	–
FLT20-10	1/2" to 1" – DN 15 to 25	200	252	290	335	440	505	595	–	–
FLT20-14	1/2" to 1" – DN 15 to 25	145	198	225	252	350	415	480	535	580



Inline design



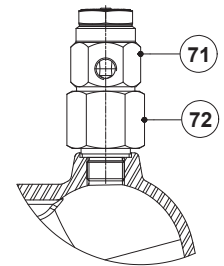
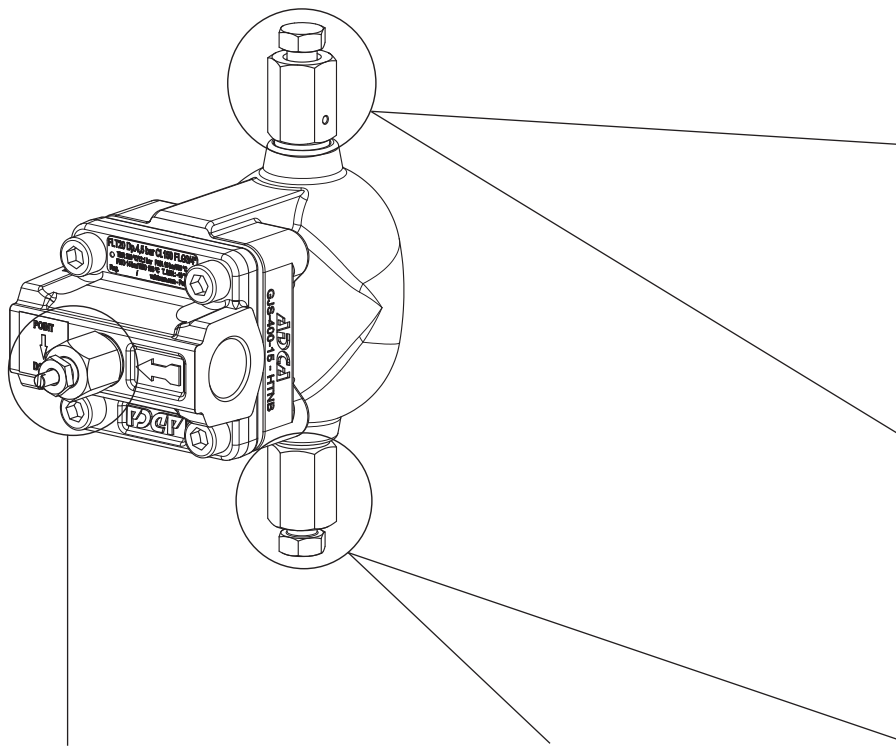
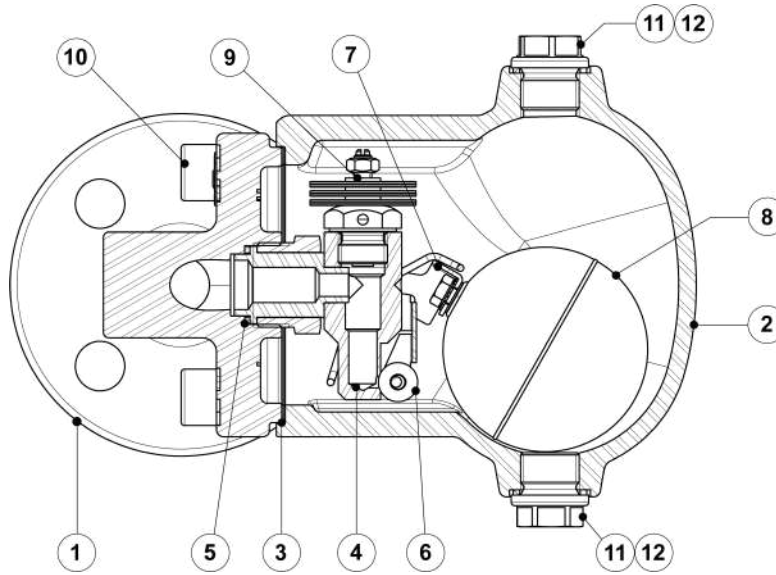
Angled design

DIMENSIONS (mm) – INLINE DESIGN											
SIZE	THREADED						PN 16		CLASS 150		
	A	B	C	D	E	H *	WEIGHT (kg)	F	WEIGHT (kg)	F	WEIGHT (kg)
1/2" – DN 15	95	146	60	122	62	3/8"	3,8	150	5,1	150	4,8
3/4" – DN 20	95	146	60	122	62	3/8"	3,8	150	5,7	150	5
1" – DN 25	95	146	60	122	62	3/8"	3,6	160	6,4	160	6

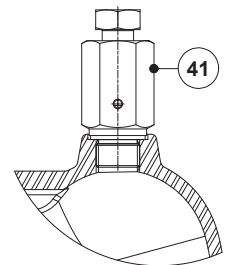
DIMENSIONS (mm) – ANGLED DESIGN														
SIZE	THREADED								PN 16			CLASS 150		
	B	C	D	E	H *	I	L	WGT. (kg)	J	M	WGT. (kg)	J	M	WGT. (kg)
1/2" – DN 15	146	60	122	62	3/8"	65	28	3,8	95	58	5,3	100	63	4,8
3/4" – DN 20	146	60	122	62	3/8"	65	28	3,8	95	58	5,9	100	63	5,2
1" – DN 25	146	60	122	62	3/8"	65	28	3,8	95	58	6,3	100	63	5,7

* As standard, in versions with EN flanges or female ISO 7 Rp threads, these connections are female threaded ISO 228. In versions with ASME flanges or female NPT threads, these connections are female threaded NPT.

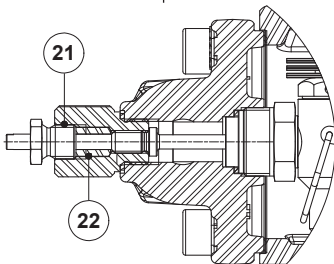
MATERIALS



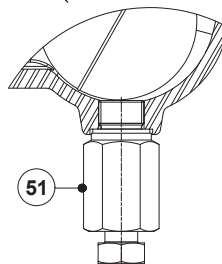
VB21M - Vacuum breaker



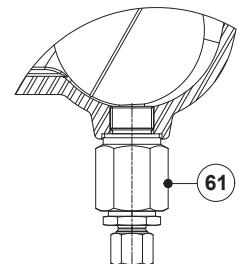
HVV - Hand vent valve



SLR - Steam lock release



BDV - Blowdown valve
(Manual)

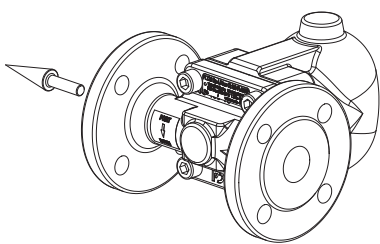


AFZ - Anti-freeze device
(Automatic)

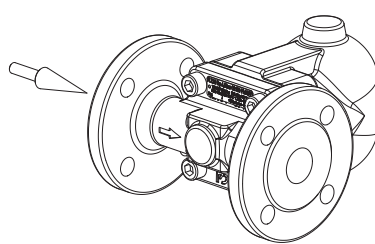
MATERIALS		
POS. N°	DESIGNATION	MATERIAL
1	Body (inline flanged)	GJS-400-15 / 0.7040
	Body (inline threaded)	P250GH / 1.0460
	Body (angled)	P250GH / 1.0460
2	Cover	GJS-400-15 / 0.7040
3	* Gasket	Stainless steel / Graphite
4	* Seat	AISI 303 / 1.4305
5	* Gasket	Copper
6	* Valve ball	AISI 316 / 1.4401
7	* Lever	AISI 304 / 1.4301
8	* Float	AISI 304 / 1.4301
9	* Automatic air vent	Stainless steel; Bimetallic
10	Bolts	Zinc plated steel
11	Plug	AISI 316L / 1.4404
12	** Gasket	Copper; AISI 304 / 1.4301
21	Steam Lock Release	AISI 420 / 1.4021 AISI 316L / 1.4404
22	Packing	Graphite
41	Hand vent valve	AISI 303 / 1.4305; AISI 316L / 1.4404
51	Blowdown valve	AISI 303 / 1.4305; AISI 316L / 1.4404
61	Anti-freeze device	AISI 303 / 1.4305; AISI 316L / 1.4404
71	Vacuum breaker	AISI 303 / 1.4305
72	Connector	AISI 316L / 1.4404

* Available spare parts; ** Not applicable in NPT version.

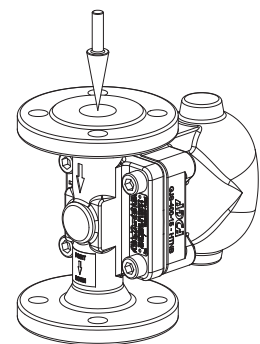
FLOW DIRECTION



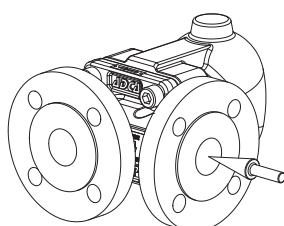
IR - Horizontal from right to left



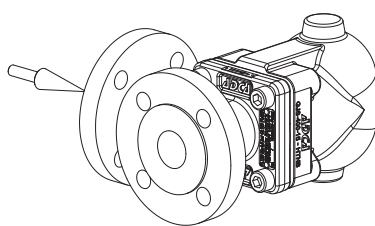
IL - Horizontal from left to right



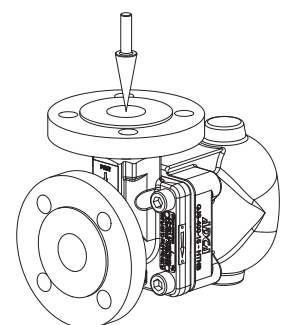
IT - Vertical from top to bottom



AR - Angled from right to front



AL - Angled from left to front



AT - Angled from top to front



ORDERING CODES FLT20									
Model	A20	2	V	XX	X	IR	A	15	
FLT20	A20								
Differential pressure									
4,5 bar		2							
10 bar		3							
14 bar		4							
Automatic air vent									
Bimetallic air vent (standard)			V						
None			X						
Cover connections									
None				XX					
3/8" threaded connections on top and bottom, closed with plugs (mandatory if any options are considered)					10				
Options									
If any, these have specific separate ordering codes, please refer to the appropriate documentation.									
SLR - Steam lock release									
None						X			
With steam lock release assembled						S			
Flow direction									
Inline horizontal from right to left (standard)							IR		
Inline horizontal from left to right							IL		
Inline vertical from top to bottom							IT		
Angled from right to front							AR		
Angled from left to front							AL		
Angled from top to front							AT		
Pipe connections									
Female threaded ISO 7 Rp								A	
Female threaded NPT								C	
Flanged EN 1092-2 PN 16								L	
Flanged ASME B16.42 Class 150								U	
Size									
1/2" or DN 15									15
3/4" or DN 20									20
1" or DN 25									25
Special valves / Extras									
Full description or additional codes have to be added in case of a non-standard combination									E